

UFO LED High Bay lamps (3030)

(SRHB200W-230V-UFO(P))



PH LED driver



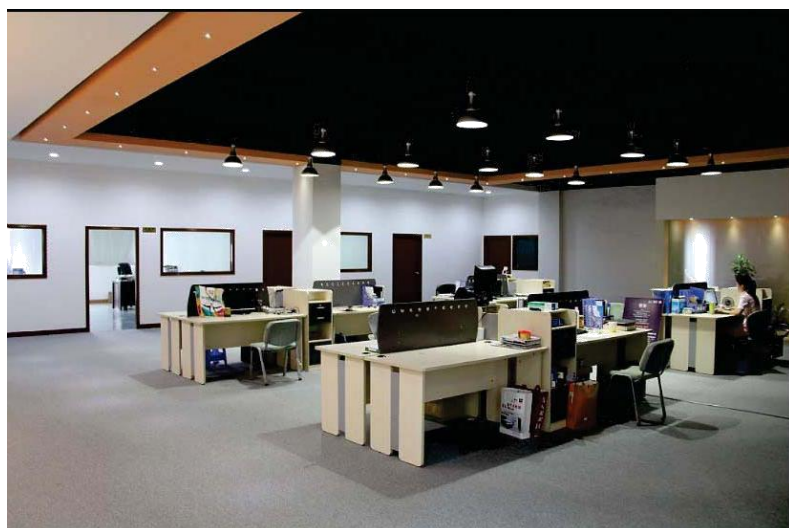
200W UFO LED high bay lamps

Description:

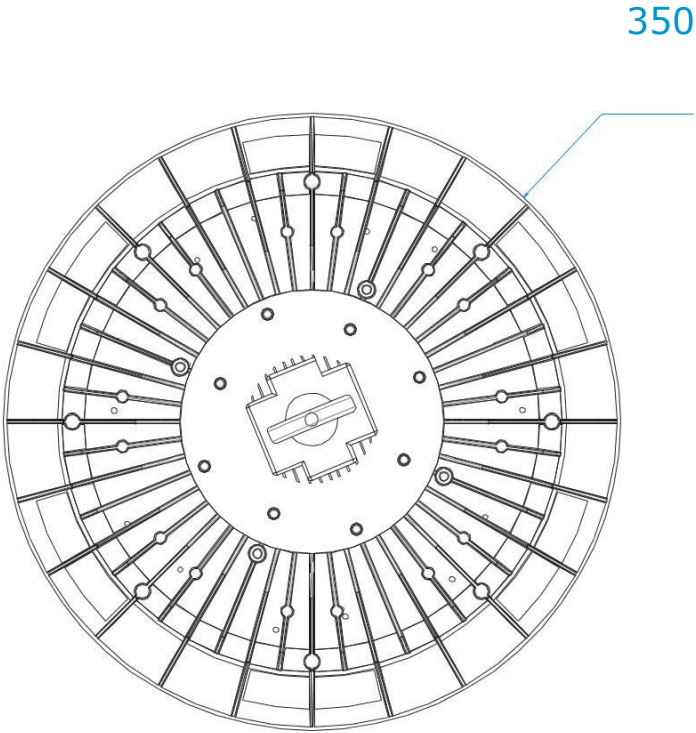
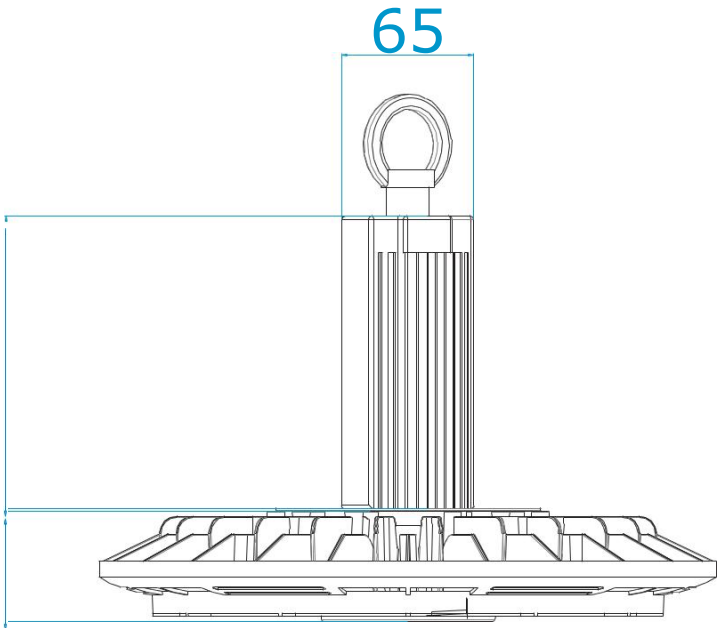
- ★ This product use durable and long life span LED light source, downy light, no glare, simple design.
- ★ This product waterproof and dustproof level 65.Can be used in various of places.
- ★ Mainly use the aluminum alloy as the material with PC lens . Work safely and durable under different conditions.
- ★ Adopted Philips 3030 SMD Led light source, Large-Size Chip with High brightness and low light fades, Enough Current margin, Led chip Rated current 150mA, actual use only 120mA, Extend led Lights lifespan and increase Light Efficiency.
- ★ Adopted PHILIPS Driver, Universal AC Input/Full range up to AC180-295V.
Protection function: short circuit/over current/over voltage/over temperature, Built-in.
active PFC function, $PF \geq 0.9$ and Conversion efficiency $\geq 90\%$ Fully encapsulated with IP65 Level.
- ★ Warm/pure/cool white all avialble with high CRI
- ★ Integrated fixture structure, Air convection design for reliable lifetime.

Applications:

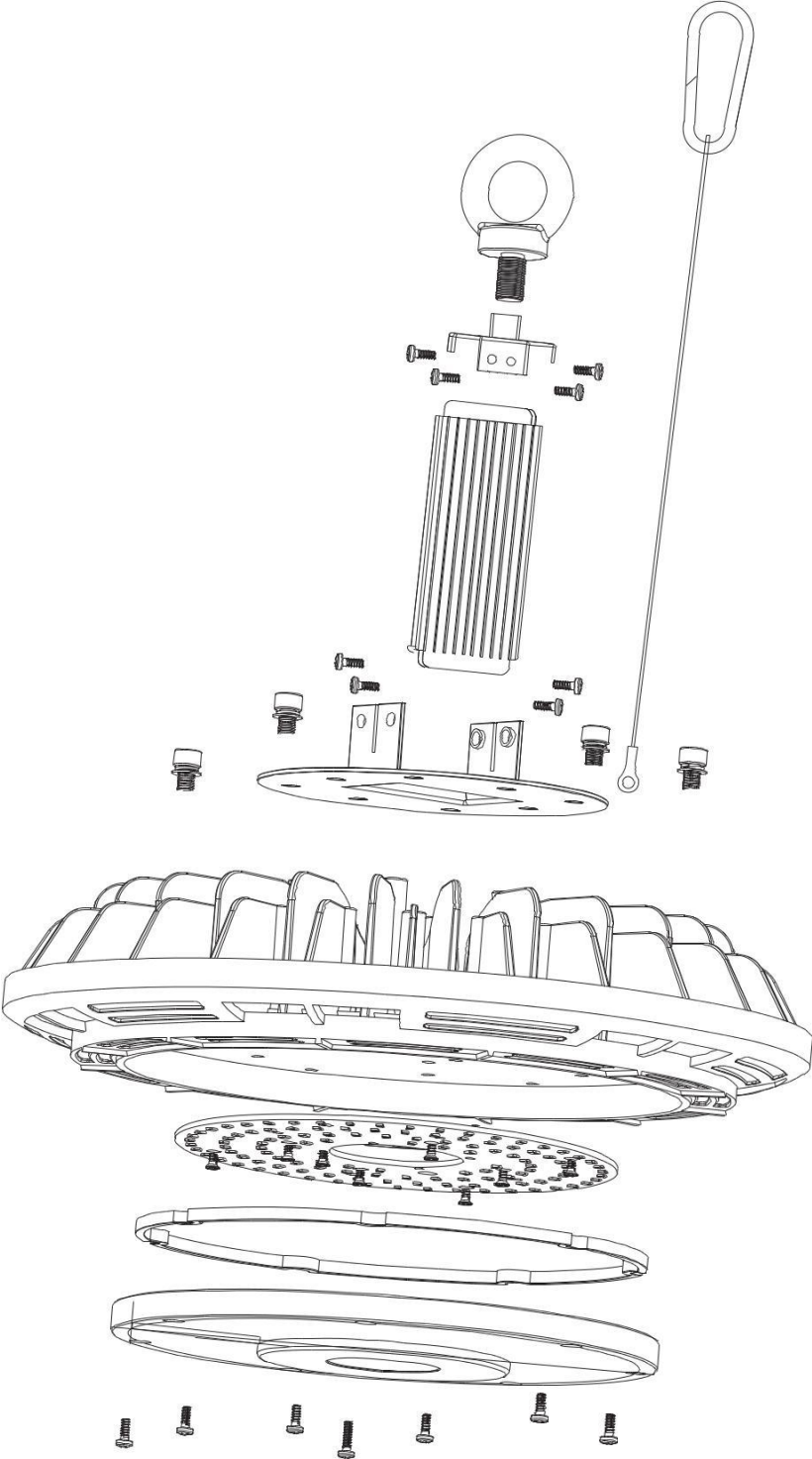
For the workshop, factory, warehouse, highway toll stations, gas stations, supermarkets, exhibition halls, stadiums and Other places of lighting required.



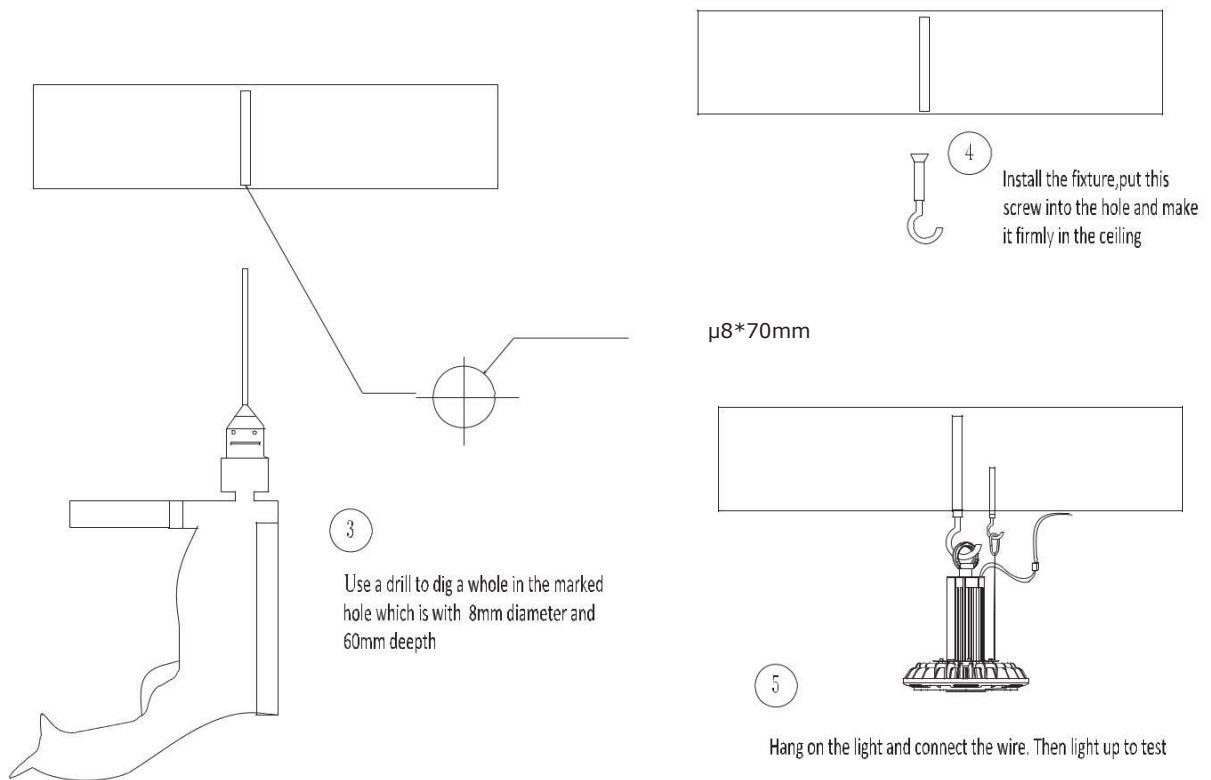
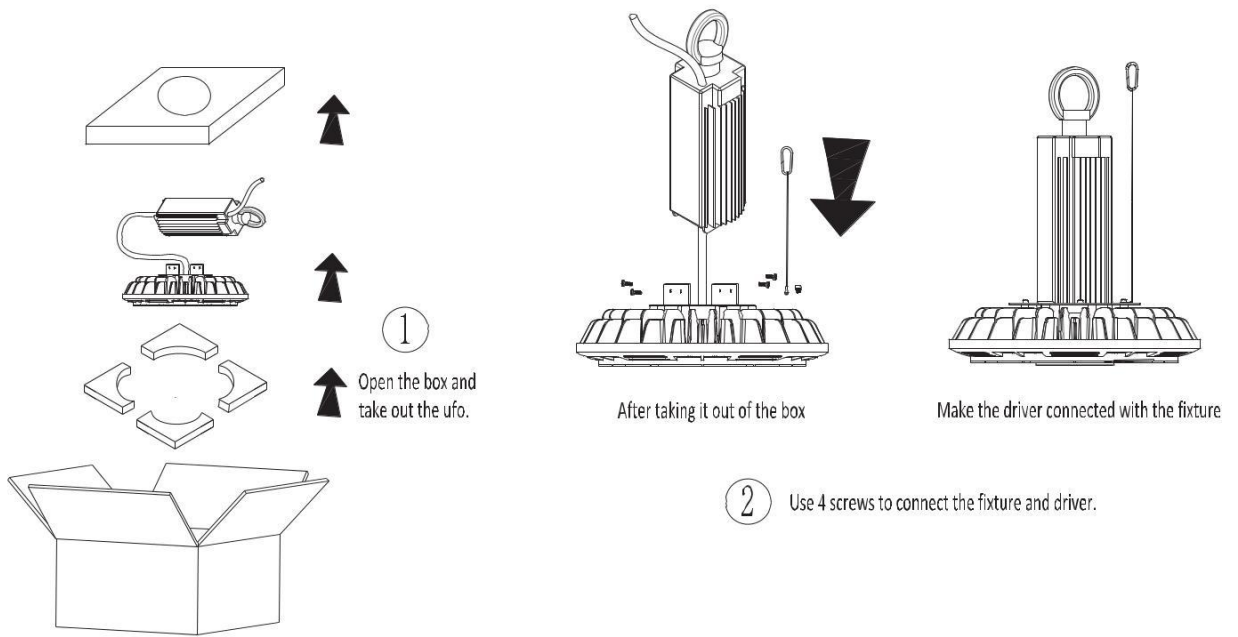
Dimensions(Unit:mm):



Photos



UFO LED High Bay lamps use method



Electrical/Optical Characteristics/Specifications

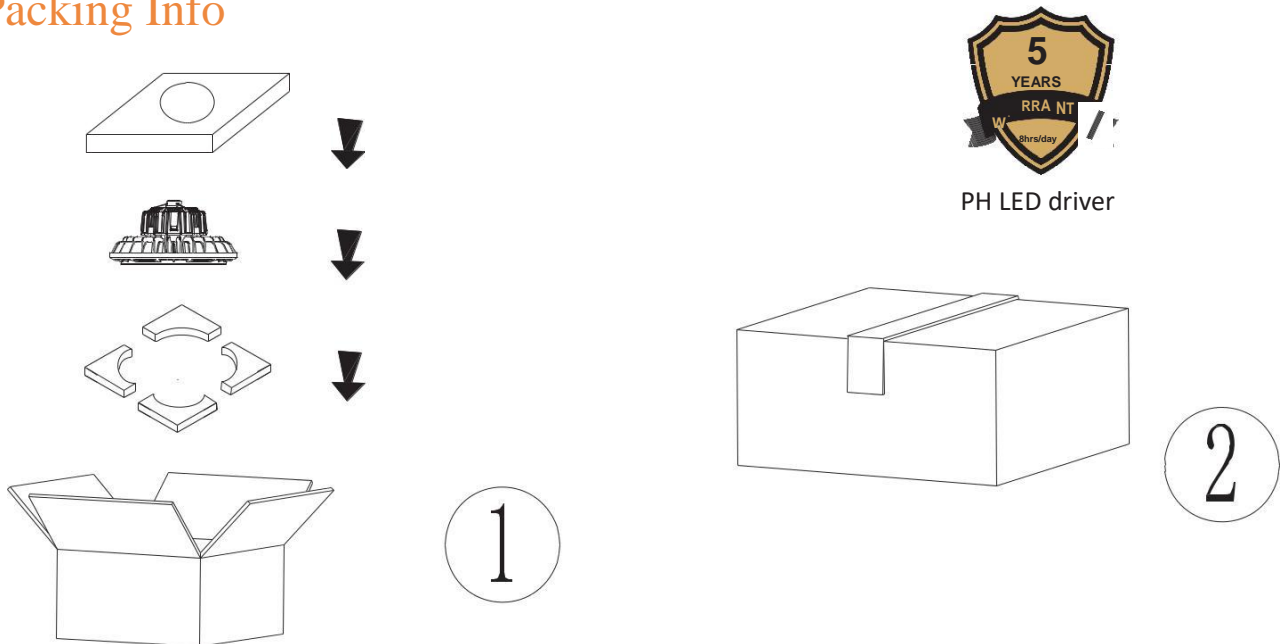
MODEL:SRHB200W-230V-UFO

Input Voltage	Max.Current	Operating Voltage	Constant Current	Power Consumption		Power Factor
AC200-240V	1.9A	DC174V	1.05A	200W		≥0.9
LED Type	LED Q'ty	CRI	CCT	2900-3100K	3800-4300K	5300-6000K
			Luminous flux	130LM/W	140LM/W	140LM/W
SMD3030	280PCS	≥80Ra	Luminous efficiency	26000LM	28000LM	28000LM
			Beam Angle	120°		
Life Time	Certifications	IP Code	Luminaires Class	product dimension		N.W
30.000Hours	CE,RoHS	I 65 P	ClassI	Φ350*H329MM		4.33Kg
Operating Temperature	Storage Temperature	Humidity Operating	Humidity Storage	Packing dimension		G.W
- 20 to+50° C	-30 to+60° C	10-80%RH	10-90%RH	430*430*170MM		5.25Kg
Outer carton package	3*1layer=3PCS/carton,K=K corrugated paper L450 *W450*H555mm,GW:17.4KG					

Dimming operation

A-type: constant current level can be adjusted through internal potentiometer
 B-type: built-in 3 in 1 dimming function (1-10vdc,pwm signal ,or resistance)
 DA-type: DALI contro technology

Packing Info



Cautions:

1. This product must be installed by professionals;
2. If there is any damage on the power line or shell, it should be taken as defective product and should not be used;
3. High voltage, non-professionals are not allowed to install, disassemble the product or connect wires.